

*APPROVAL SHEET*

**DEVICE TYPE**

***FLASH THREE COLOR 5mm LAMP***

***FC350C8xxxG-4.5DC***

APPROVED BY	DESIGNED BY	

**Light color : Red 、 Blue 、 Green Color**

**Absolute maximum rating ( Ta=25°C )**

- Reverse current : 100  $\mu$ A
- Peak current ( duty=0.1,1KHz ) : 100 mA
- Operating/Storage temperature range : -30°C ~ +85°C
- Derating linear from 25°C : 0.4 mA/°C
- Lead soldering temperature range : 260°C for 5 second

**Electro-optical characteristics ( TA=25°C )**

**RED COLOR :**

Parameter	Symbol	Min	Typ.	Max	Unit	Test Condition
Forward voltage	VF	1.8	❖	2.4	V	IF=20 mA
Luminous intensity	IV	❖	1000	❖	mcd	IF=20 mA
Peak emission wavelength	$\lambda p$	619	❖	629	nm	❖
Half intensity angle	$\Delta \theta$	❖	25	❖	deg	❖

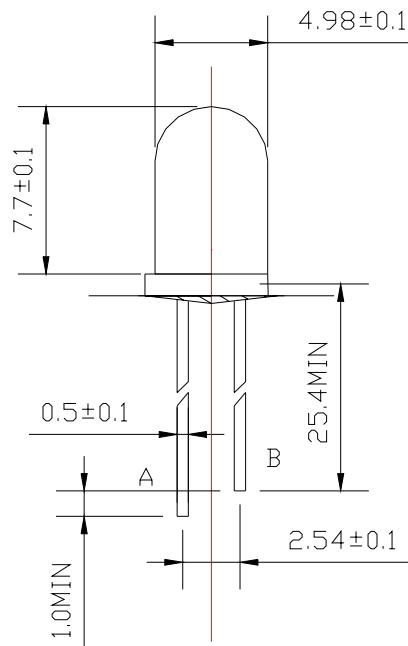
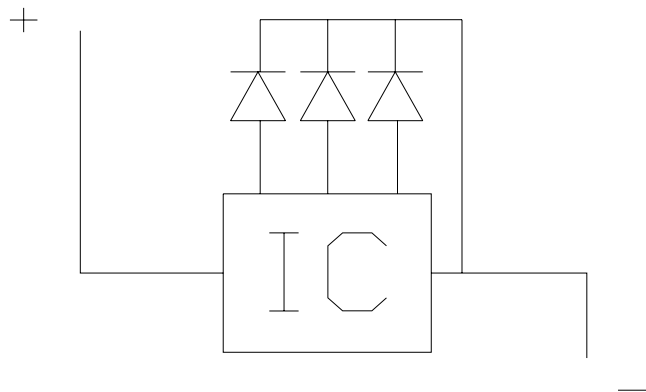
**GREEN COLOR :**

Parameter	Symbol	Min	Typ.	Max	Unit	Test Condition
Forward voltage	VF	2.8	❖	4	V	IF=20 mA
Luminous intensity	IV	❖	1800	❖	mcd	IF=20 Ma
Peak emission wavelength	$\lambda p$	515	❖	535	nm	❖
Half intensity angle	$\Delta \theta$	❖	20	❖	deg	❖

**BLUE COLOR :**

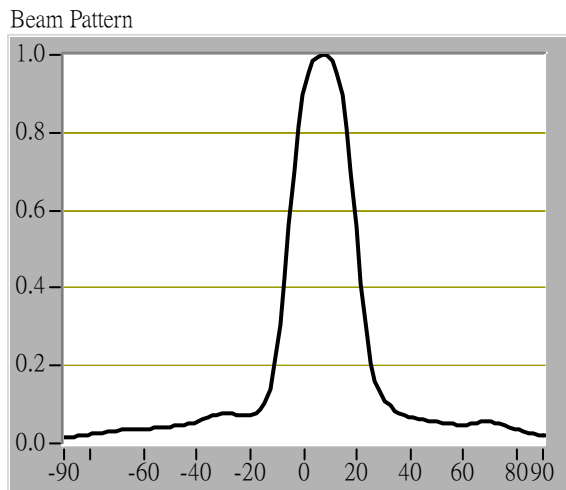
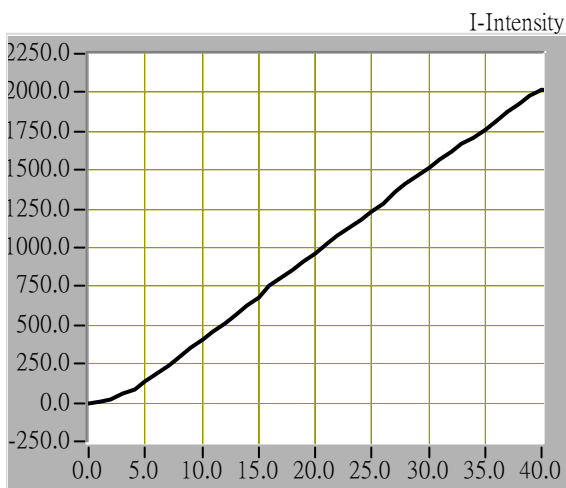
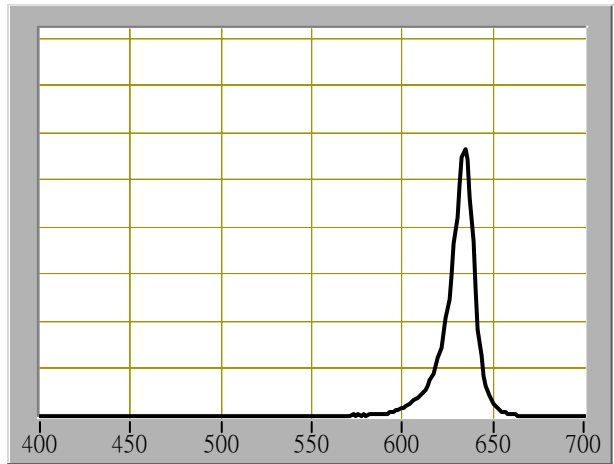
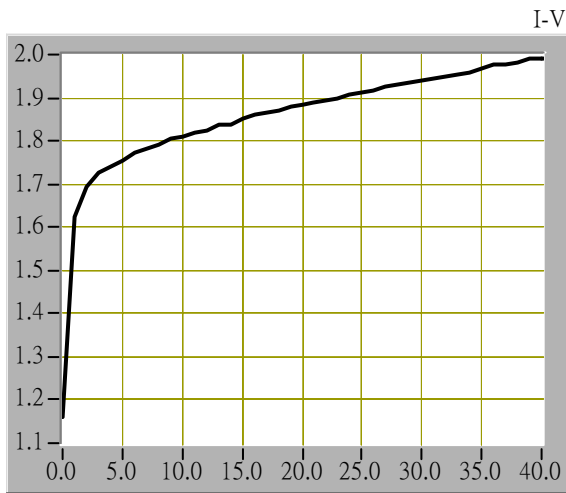
Parameter	Symbol	Min	Typ.	Max	Unit	Test Condition
Forward voltage	VF	2.5	❖	4	V	IF=20 mA
Luminous intensity	IV	❖	550	❖	mcd	IF=20 mA
Peak emission wavelength	$\lambda p$	470	❖	475	nm	❖
Half intensity angle	$\Delta \theta$	❖	20	❖	deg	❖

1. **Supply Voltage Range : 4.5 V DC +0% -20%**
2. **Low Standby Current <math> < 5 \mu A </math>**
3. **Power On—On Mode**
4. **Crystal----1.4Hz(one second for 1.4 times)**
5. **Driver Current >25mA**
6. **Input current : 90 mA**
7. **Power Consumption : 0.405 W**

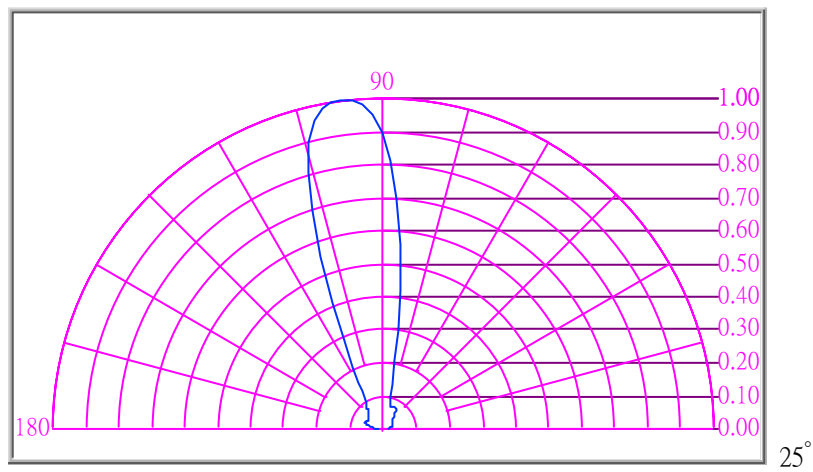


**A : Anode B : Cathode**

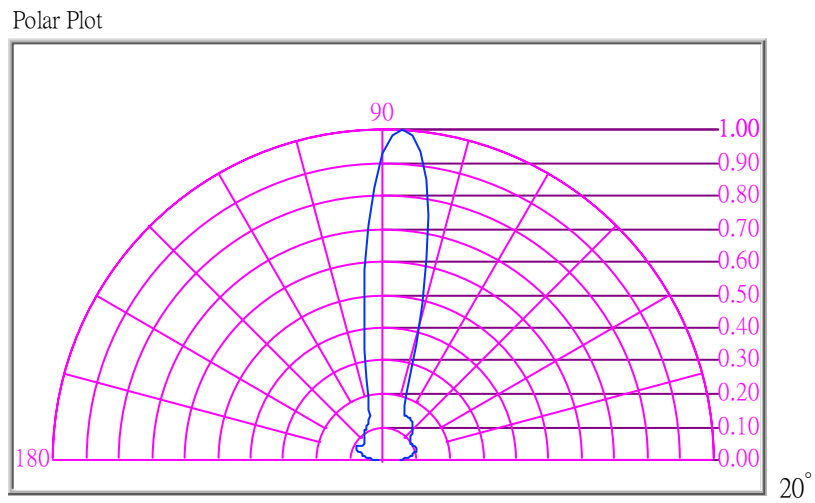
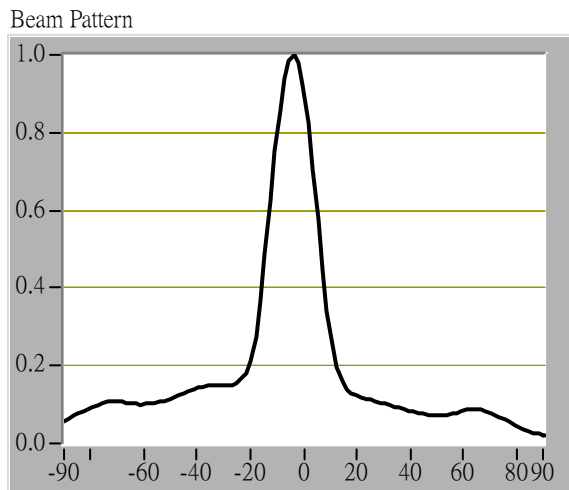
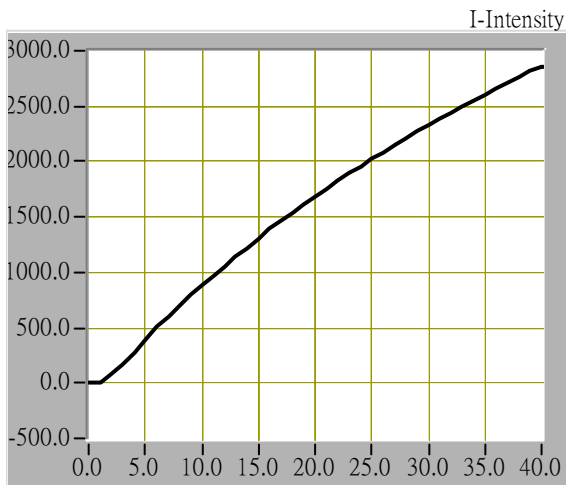
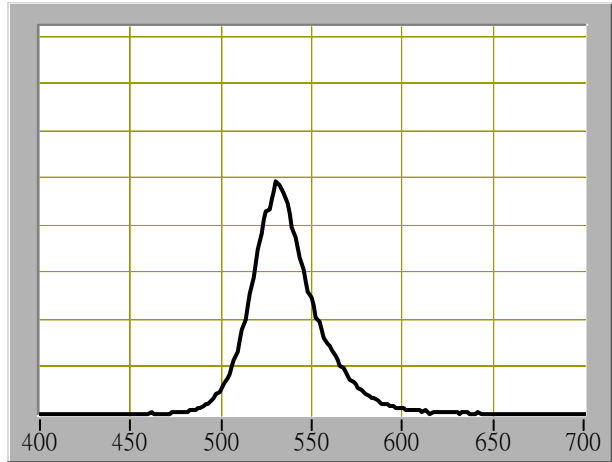
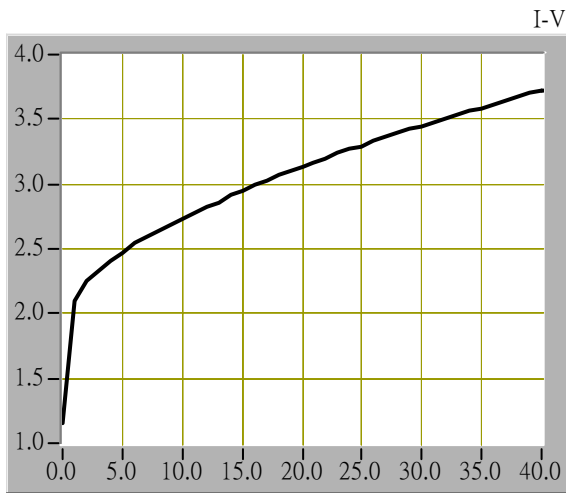
RED COLOR :



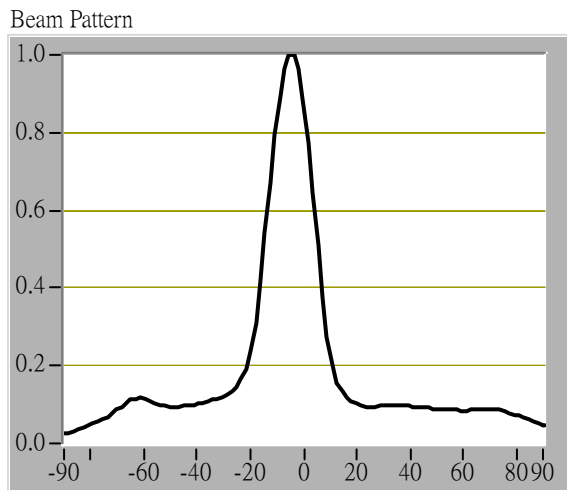
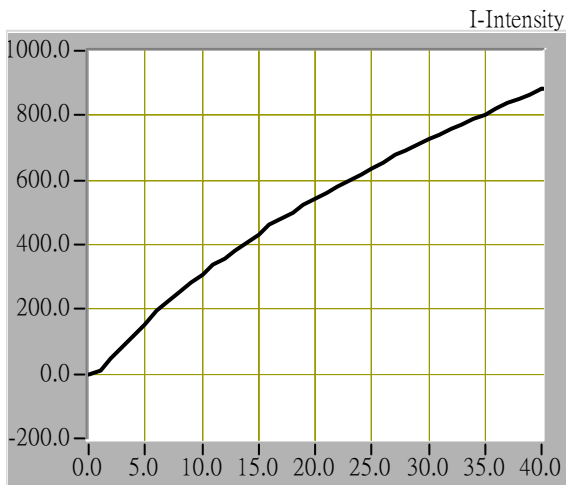
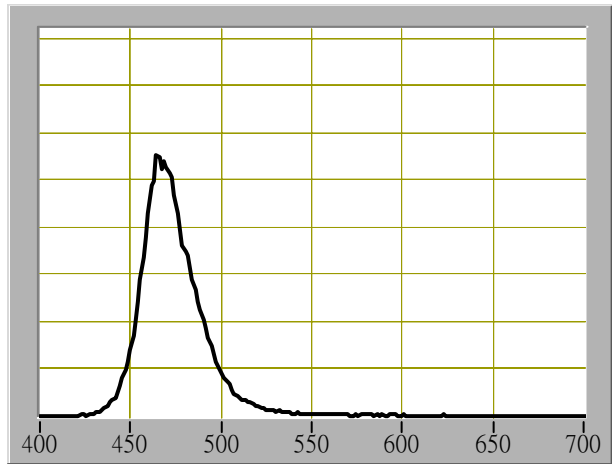
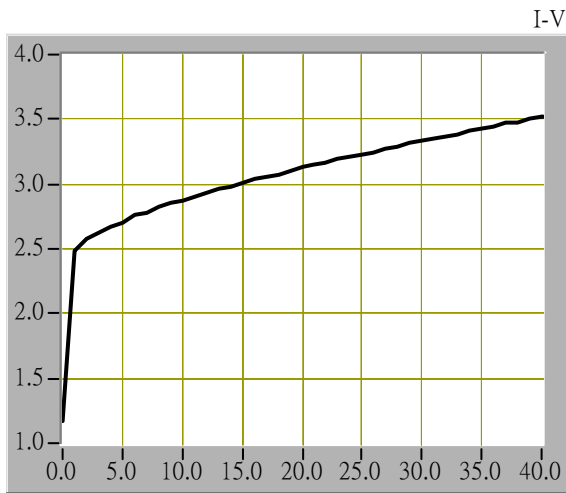
Polar Plot



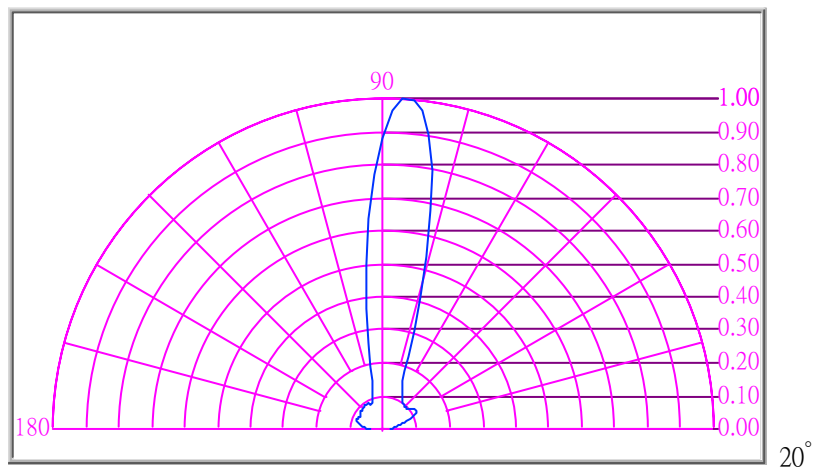
GREEN COLOR :



BLUE COLOR :



Polar Plot





(○-----FLASH X-----OFF ◆-----The Light To Progress Step By Step)

K6(M5)								
七色連續閃(0.25sec)								
R	G	B						
○								
	○							
		○						
○	○							
	○	○						
○		○						
○	○	○						

Test Voltage: 4.5VDC

SEC 1 === 4.00sec	SEC 2 === 3.00sec
SEC 3	SEC 4 === 0.25sec
SEC 5 === 8 m sec	SEC 6 === 0.25sec

Error: ±20%